



Omega **J1065T**

A PROPEL BRAND TRACKED

Feeder

Length	11' 10" / 3600 mm
Width	37" / 940 mm
Motor type	2 x 4.3 kW
Grizzly type	Stepped 40 - 75 with optional aperture

Hopper

Type	Hydraulic folding
Length	13' / 3960 mm
Height	31" / 790 mm
Capacity	3.8 m ³
Hardox construction	

Crusher

Type	Omega 1065 single toggle
Opening size	40" x 26" / 1000 mm x 650 mm
Max feed	21" / 530 mm
CSS Range	2"- 5" / 50 mm - 130 mm
Motor type	90 kW IE4

Tracks

Type	Hydraulic drive
Shoe size	15 1/2" / 400 mm
Drive	Proportional hydraulic
Control	Radio / Umbilical

Power pack

Type	Deutz TCD7.8L6 Stage V
	CAT 7.1
Power output	220 kVA
Alternator	WEG 250 KVA

Product conveyor

Discharge height	10' / 3050 mm
Length	32' 10" / 10,000 mm
Belt width	33.5" / 850 mm
Drive type	Motorised pulley, 7.5 kW

Fines conveyor

Discharge height	90" / 2300 mm
Length	11' 10" / 3600 mm
Belt width	22" / 550 mm
Drive type	2.2 kW motorised pulley

* Details may change on final Specification

Contact us:

Unit 1 & 2 Deverney Road, Omagh, Co Tyrone
N Ireland, BT79 0ND

T. +44 28 8167 8571 E. info@omegacrusher.com



Omega

A PROPEL BRAND



J1065T

TRACKED



low cost per tonne
fuel efficient
all electric drive
high output capacity

HOPPER

- Hardox 400 construction
- 3.8 m³ capacity
- Hydraulic folding and locking for rapid set up

POWERPACK

- Emissions compliant
- High efficiency system
- Electric plug in option
- Mains power plug in option

VIBRATING FEEDER

- Declined feeder to assist material flow
- Stepped grizzly section
- Hardox lined
- Operator remote control on/off

DISCHARGE CONVEYOR

- Powerful motorised head drum pulley
- 850 mm wide belt
- Hydraulic raise and lower for rebar clearance
- Overband magnet
- Self-cleaning spoke tail drum
- Conveyor can be lowered and removed from machine

FINES CONVEYOR

- 550 mm wide belt
- 2300 mm discharge height
- Self-cleaning spoke tail drum

TRACKS

- Proportional hydraulic control
- 3 speed tracking
- 400 mm wide

Heavy duty shaft installed with premium bearings

Large 1000 mm x 650 mm feed opening

Motor electric drive via v-belt

Large Jaw ejector cylinder

Multiple Jaw die options

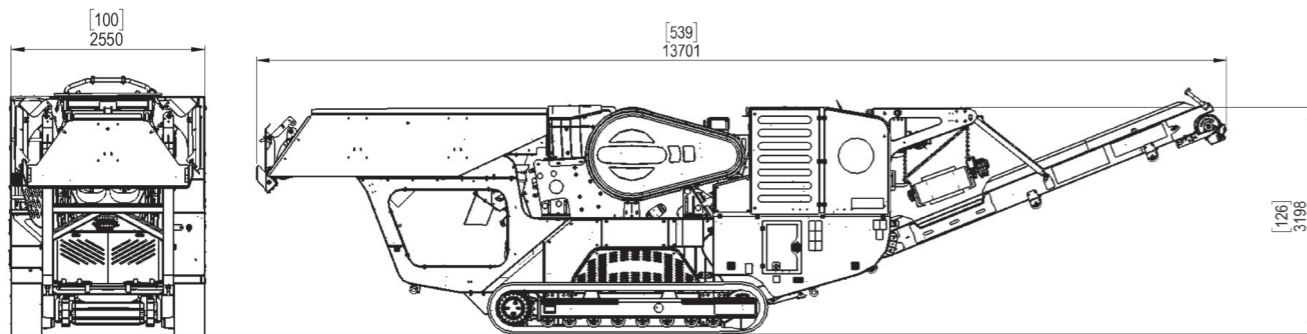
Hydraulic wedge for CSS adjust (50 - 130 mm)

Bolted mainframe for strength and durability

Draw back rod with hydraulic tension system

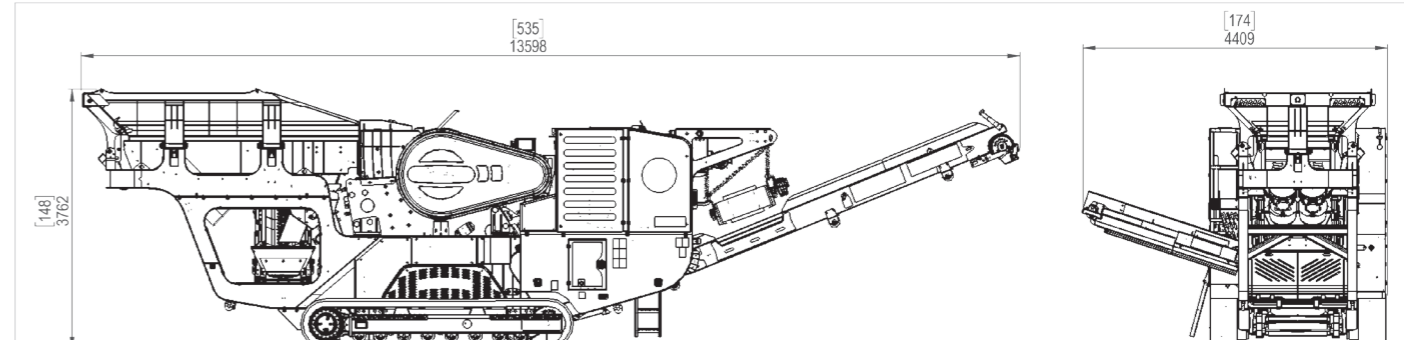
Optional deflector plate for recycling applications

TRANSPORT DIMENSIONS



H. 10' 6" / 3200 mm m W. 8' 4" / 2550 mm L. 44' 11" / 13,700 mm **WEIGHT.** 31,500 kg

WORKING DIMENSIONS



H. 12' 4" / 3760 mm W. 8' 4" / 2550 mm W. 14' 5" / 4410 mm L. 44' 8" / 13,615 mm **WEIGHT.** 31,500 kg
without fines with fines